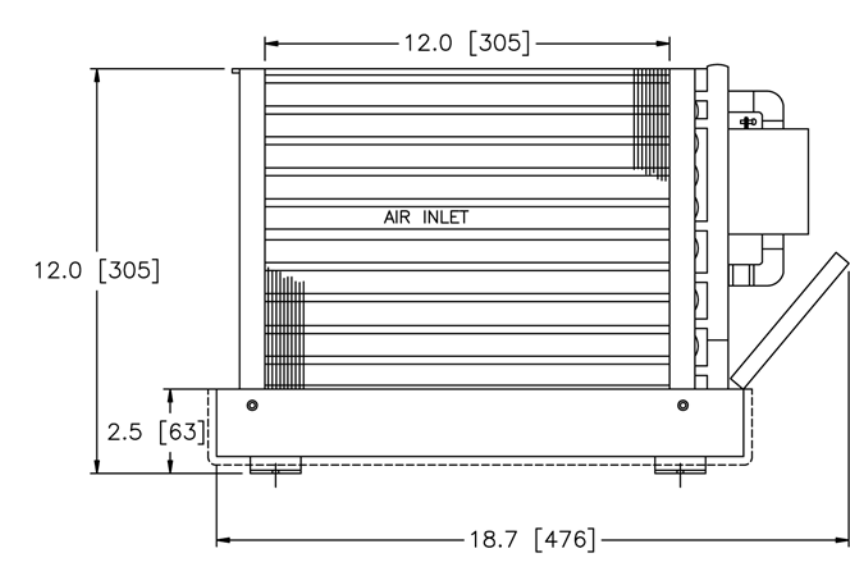
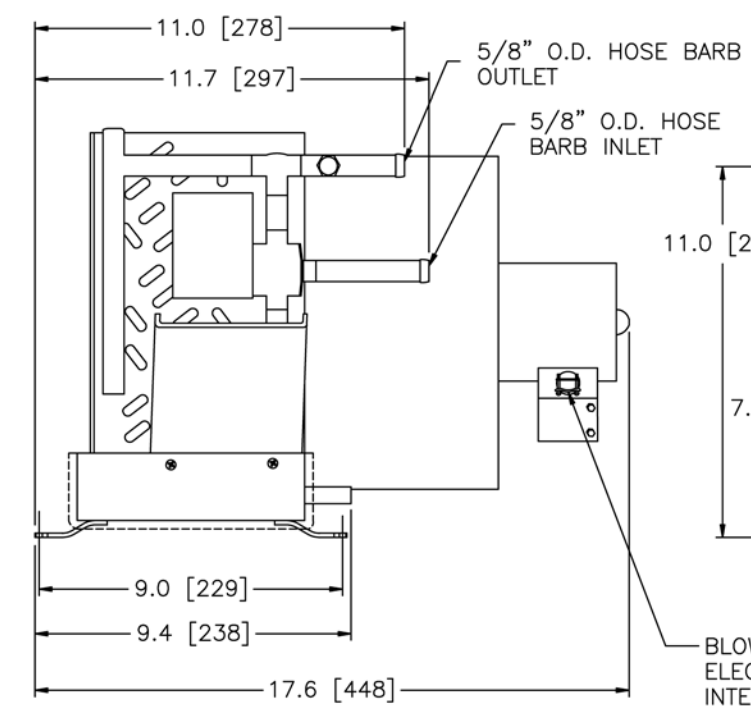


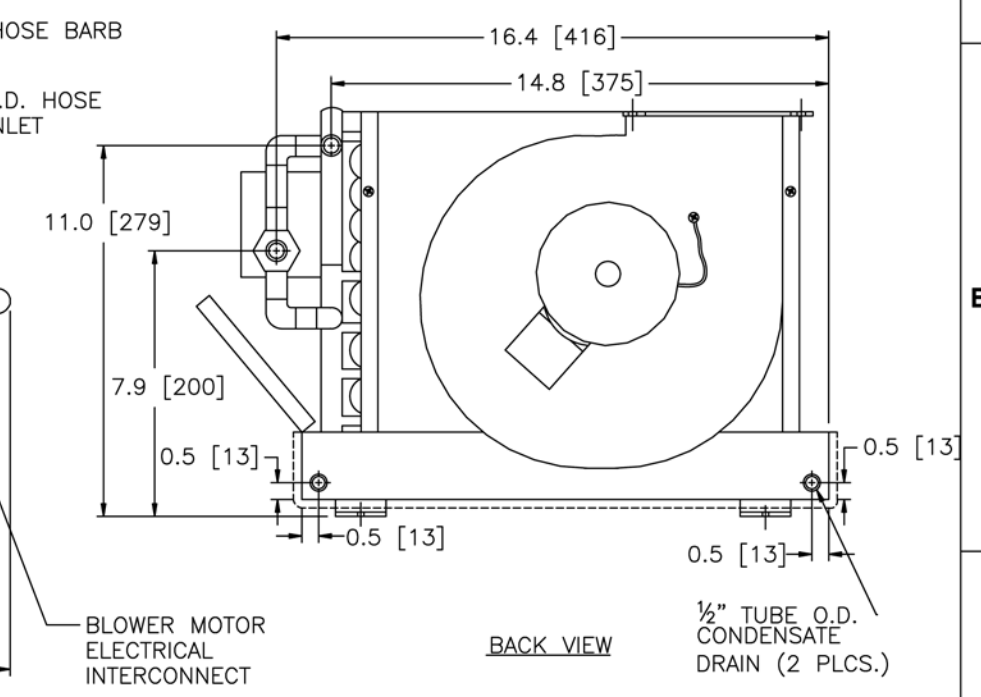
TOP VIEW



FRONT VIEW



LEFT SIDE VIEW



BACK VIEW

SYMBOL	DATE	DESCRIPTION	BY	CHECKED
<b>REVISIONS</b>				
		<b>TECHNICOLD</b> <small>by NORTHERN LIGHTS</small>		
		<b>1419 W. Newport Center Drive</b> <b>Deerfield Beach, FL 33442</b> <b>(954) 421-1717</b> <b>www.technicold.com</b>		
TOLERANCES UNLESS OTHERWISE SPECIFIED X.X: ±.125 ANGULAR: ±1.0		DRAWN: LB CHECKED: SCALE: 1:4 RELEASED: 3/2/09 SHEETS: CF 1 UNITS OF MEASURE: INCHES (MM)		
CAD REVISE ON CAD ONLY THIRD ANGLE PROJECTION		TITLE: <b>AIR HANDLER</b> 18,000 BTU/HR RA18 DWG. NO.: C-6631 REV: -		