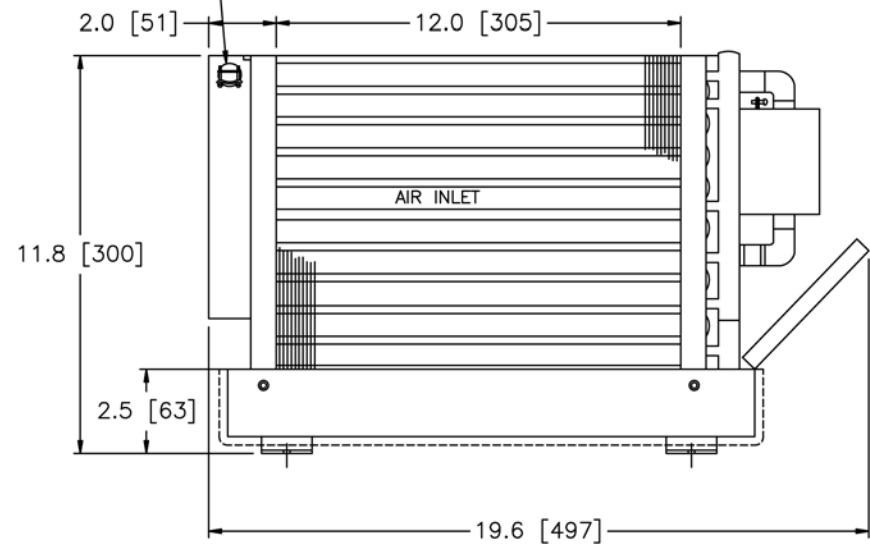
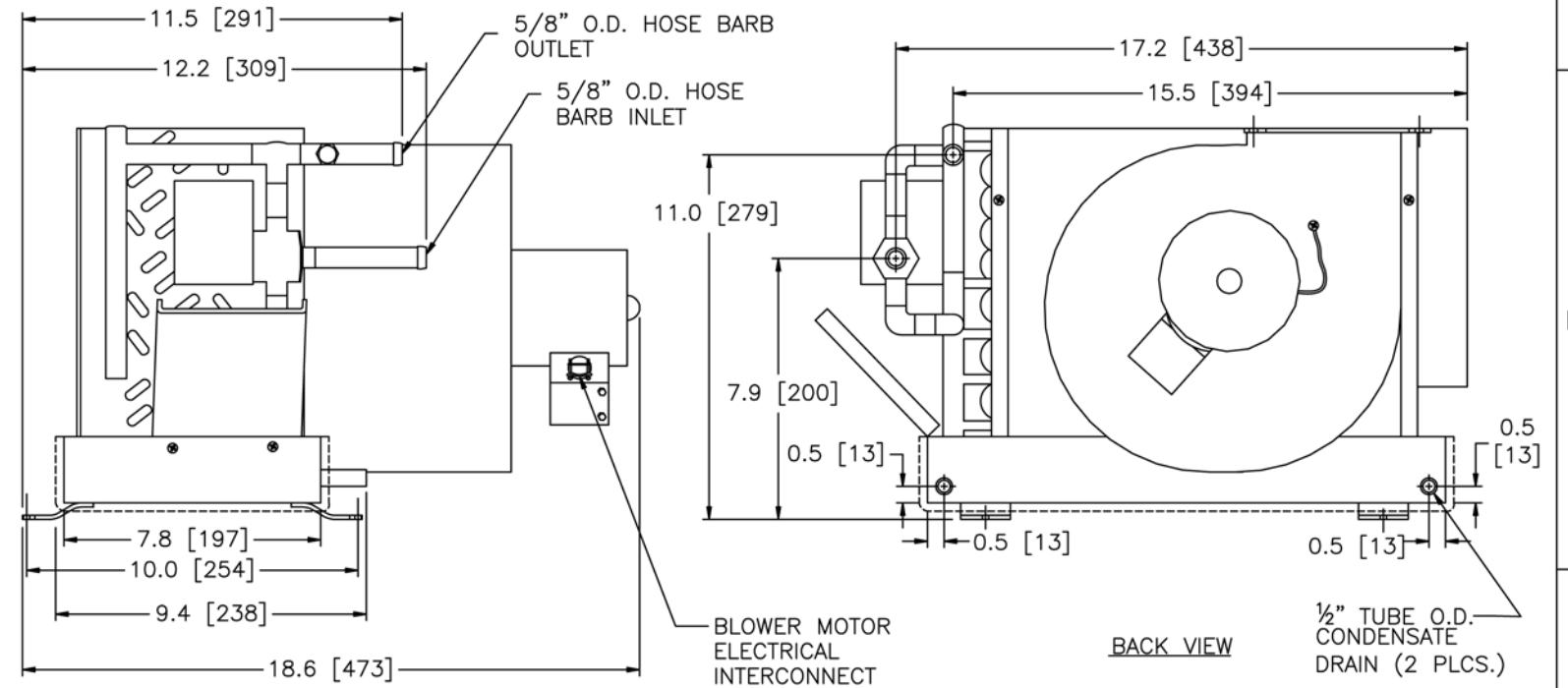


TOP VIEW

2 KW HEATER  
ELECTRICAL  
INTERCONNECT



FRONT VIEW



LEFT SIDE VIEW

BACK VIEW

SYMBOL	DATE	DESCRIPTION	BY	CHECKED
REVISIONS				
		<b>TECHNICOLD</b> <small>by NORTHERN LIGHTS</small>		
		1419 W. Newport Center Drive Deerfield Beach, FL 33442 (954) 421-1717 www.technicold.com		
TOLERANCES UNLESS OTHERWISE SPECIFIED X.X: ±.125 ANGULAR: ±1.0		DRAWN: LB CHECKED: [ ] SCALE: 1:4 RELEASED: 3/2/09 SHEETS: CF 1 UNITS OF MEASURE: INCHES (MM)		
CAD REVISE ON CAD ONLY THIRD ANGLE PROJECTION		TITLE: AIR HANDLER W/ 2 KW HEATER 18,000 BTU/HR RA18 DWG. NO.: C-6632 REV: -		