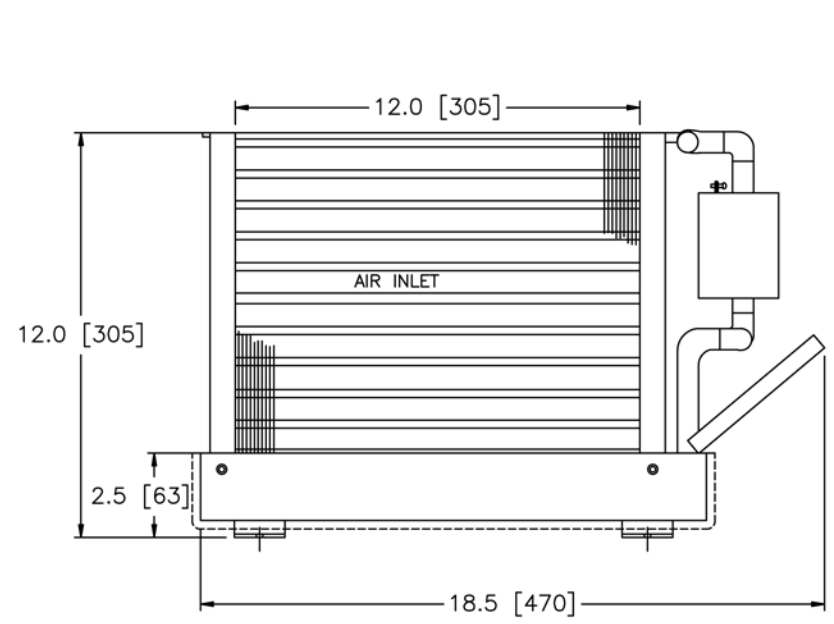
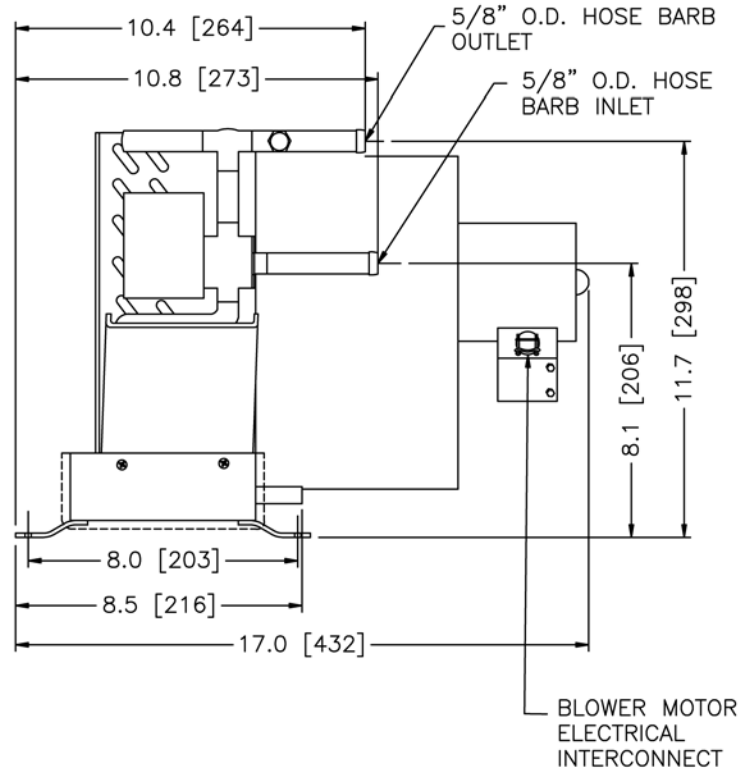


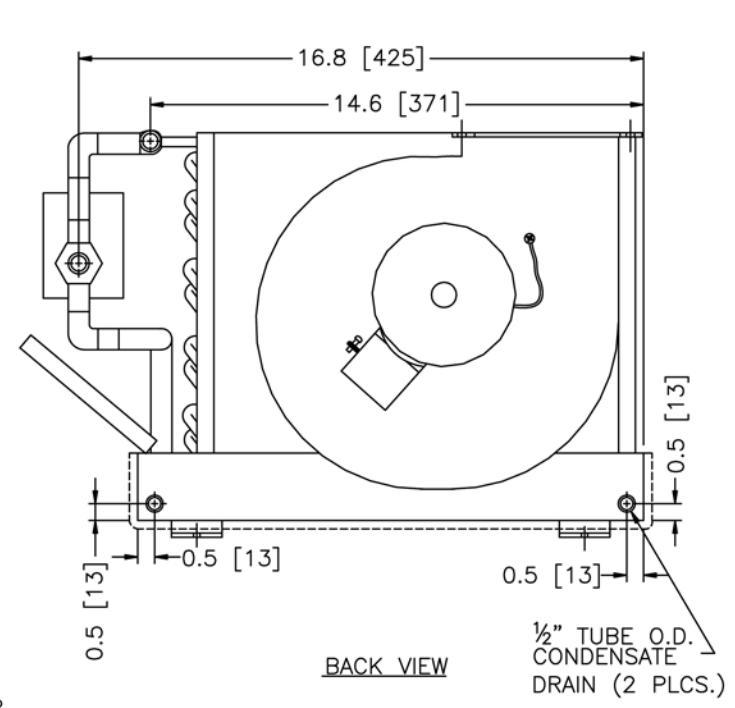
TOP VIEW



FRONT VIEW



LEFT SIDE VIEW



BACK VIEW

WEIGHT: 28 LBS [12.7 KG] CFM: 500 AMP DRAW: 3.55 A @115 V SINGLE PHASE/ 1.7 A @230 V SINGLE PHASE

SYMBOL		DATE	DESCRIPTION	BY	CHECKED
REVISIONS					
TOLERANCES UNLESS OTHERWISE SPECIFIED X.X: ±.125 ANGULAR: ±1.0			<b>TECHNICOLD</b> by NORTHERN LIGHTS		
CAD REVISE ON CAD ONLY THIRD ANGLE PROJECTION			1419 W. Newport Center Drive Deerfield Beach, FL 33442 (954) 421-1717 www.technicold.com		
DRAWN: LB		TITLE: AIR HANDLER		REV: -	
CHECKED:		SCALE: 1:4		16,000 BTU/HR	
RELEASED: 3/12/09		SHEETS: CF 1		DHWL NO.: C-6640	
UNITS OF MEASURE: INCHES (MM)		RA16			