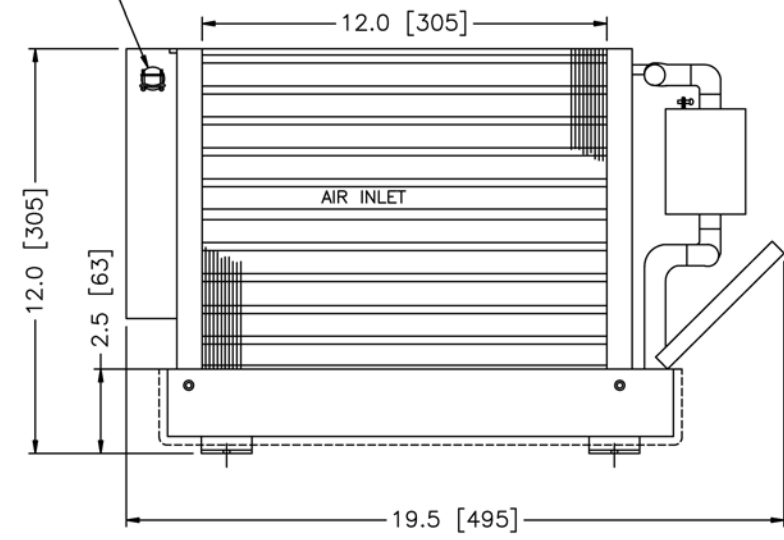
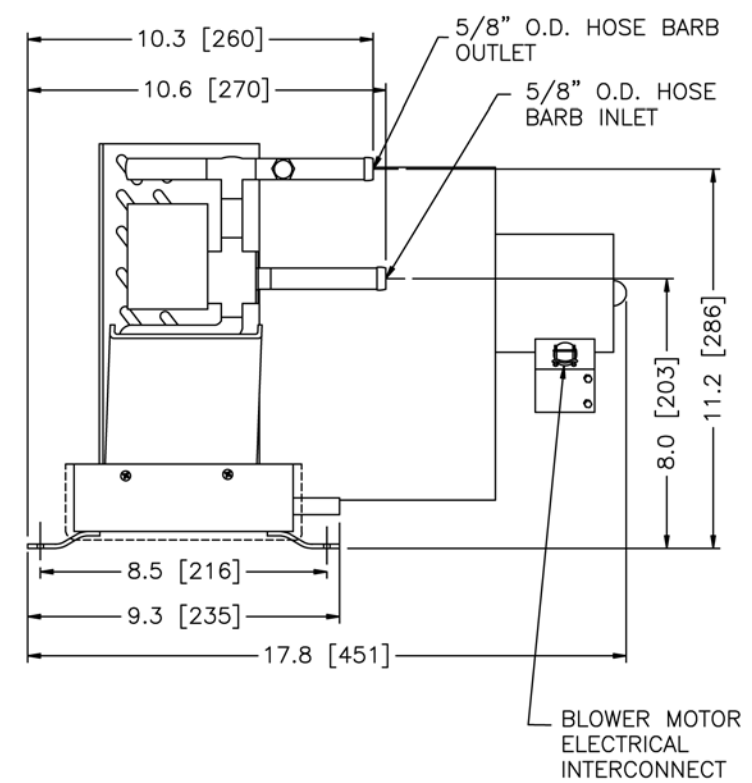


2 kW HEATER
ELECTRICAL
INTERCONNECT
8.3 AMPS @240 VAC
16.7 AMPS @120 VAC

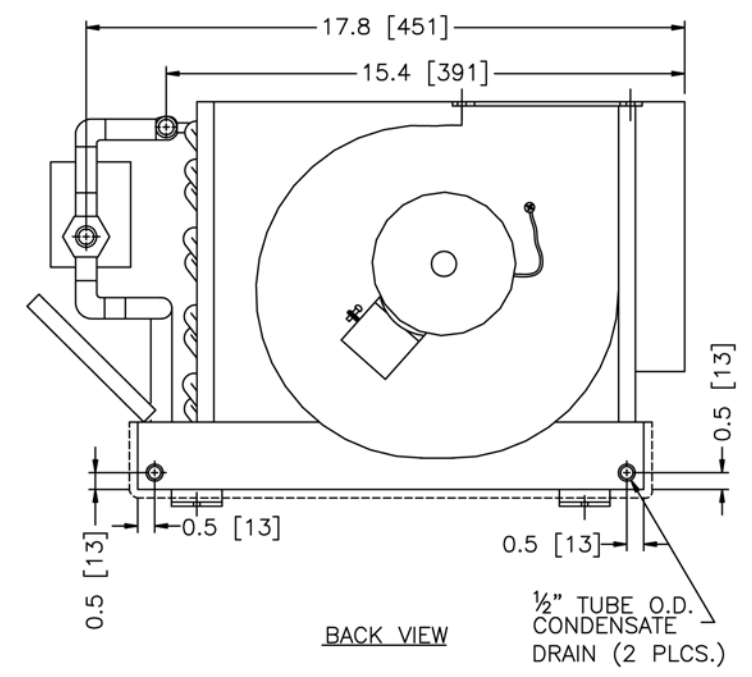
TOP VIEW



FRONT VIEW



LEFT SIDE VIEW



BACK VIEW

CFM: 500 AMP DRAW: 3.55 A @115 V SINGLE PHASE/ 1.7 A @230 V SINGLE PHASE

SYMBOL	DATE	DESCRIPTION	BY	CHECKED
REVISIONS				
		TECHNICOLD <small>by NORTHERN LIGHTS</small>		
		1419 W. Newport Center Drive Deerfield Beach, FL 33442 (954) 421-1717 www.technicold.com		
TOLERANCES UNLESS OTHERWISE SPECIFIED X.X: ±.125 ANGULAR: ±1.0		AIR HANDLER W/ 2 KW HEATER 16,000 BTU/HR		
CAD REVISE ON CAD ONLY THIRD ANGLE PROJECTION		DRAWN: LB CHECKED: SCALE: 1:4 RELEASED: 3/13/09 SHEETS: CF 1	TITLE:	RA16
		UNITS OF MEASURE: INCHES (MM)	DWG. NO.: C-6641	REV: -