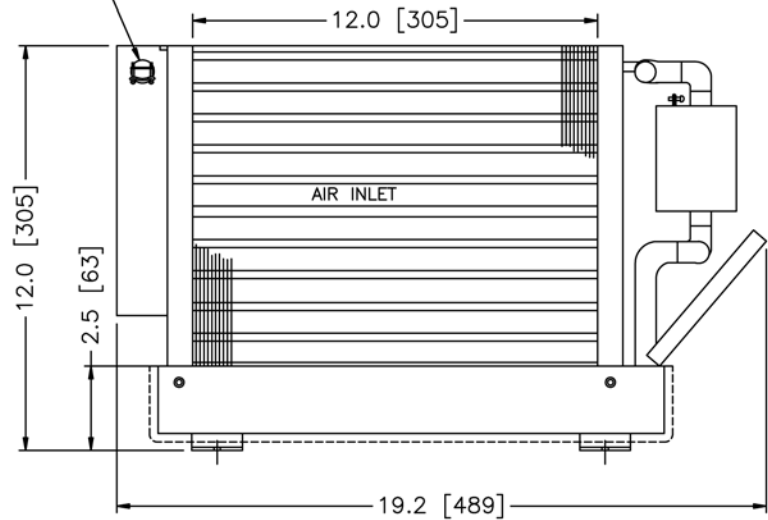
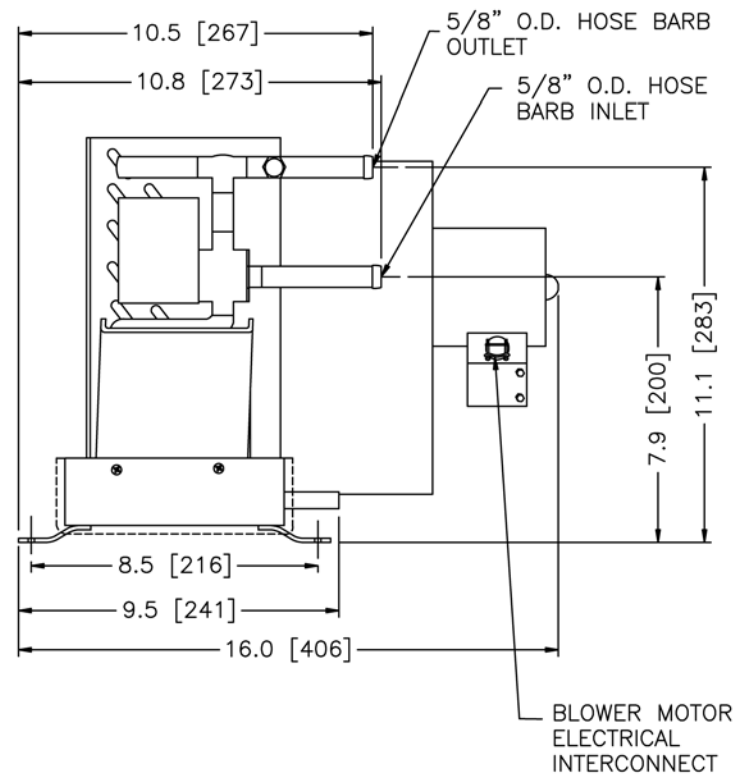


2 kW HEATER
ELECTRICAL
INTERCONNECT
8.3 AMPS @240 VAC
16.7 AMPS @120 VAC

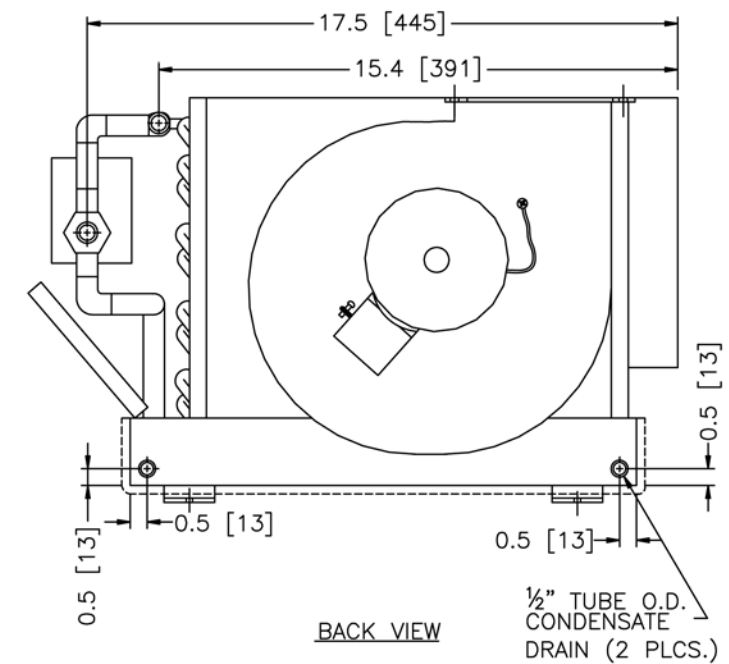
TOP VIEW



FRONT VIEW



LEFT SIDE VIEW



BACK VIEW

CFM: 350 AMP DRAW: 3.2 A @115 V SINGLE PHASE/ 1.6 A @230 V SINGLE PHASE

SYMBOL	DATE	DESCRIPTION	BY	CHECKED
REVISIONS				
TECHNICOLD <small>by NORTHERN LIGHTS</small>				
1419 W. Newport Center Drive Deerfield Beach, FL 33442 (954) 421-1717 www.technicold.com				
TOLERANCES UNLESS OTHERWISE SPECIFIED X.X: ±.125 ANGULAR: ±1.0		DRAWN: LB CHECKED: SCALE: 1:4 RELEASED: 3/17/09 SHEETS: DF 1 UNITS OF MEASURE: INCHES (MM)		
CAD REVISE ON CAD ONLY THIRD ANGLE PROJECTION		TITLE: AIR HANDLER W/ 2 KW HEATER 12,000 BTU/HR RA12 DWG. NO.: C-6643 REV.: -		