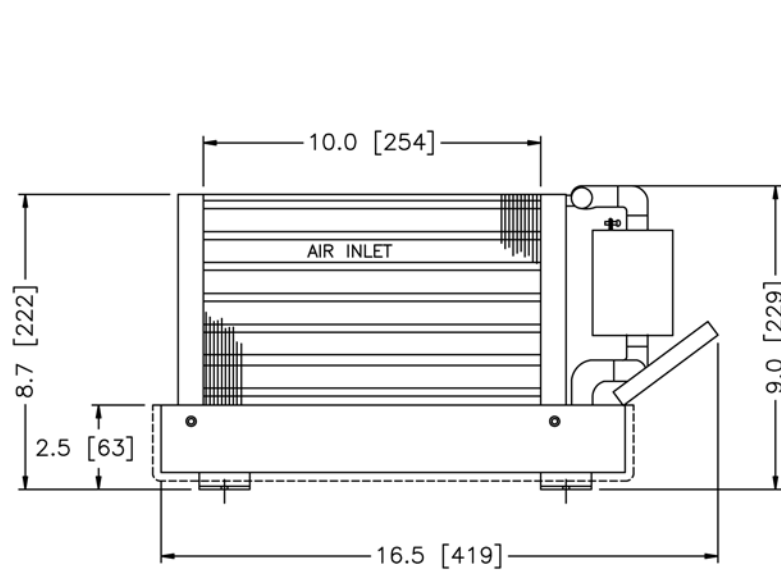
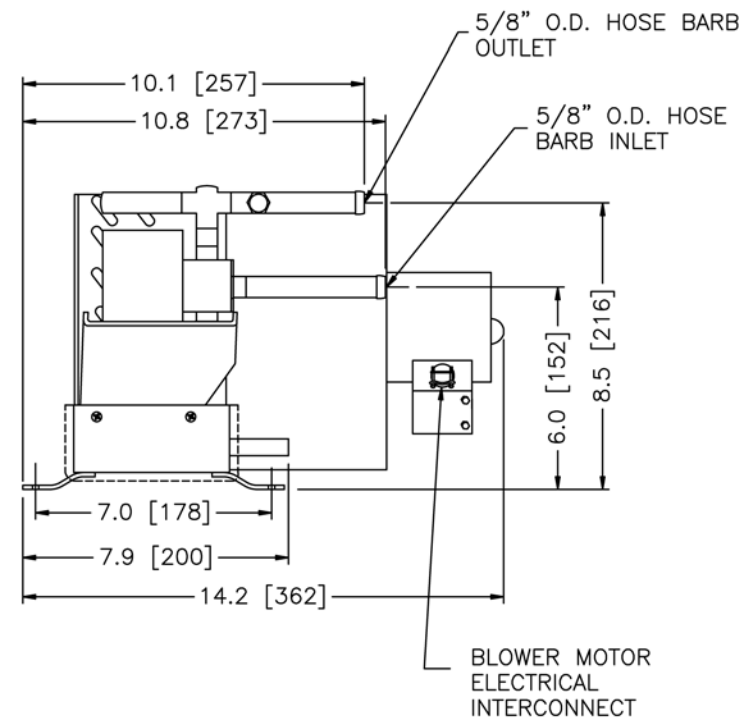


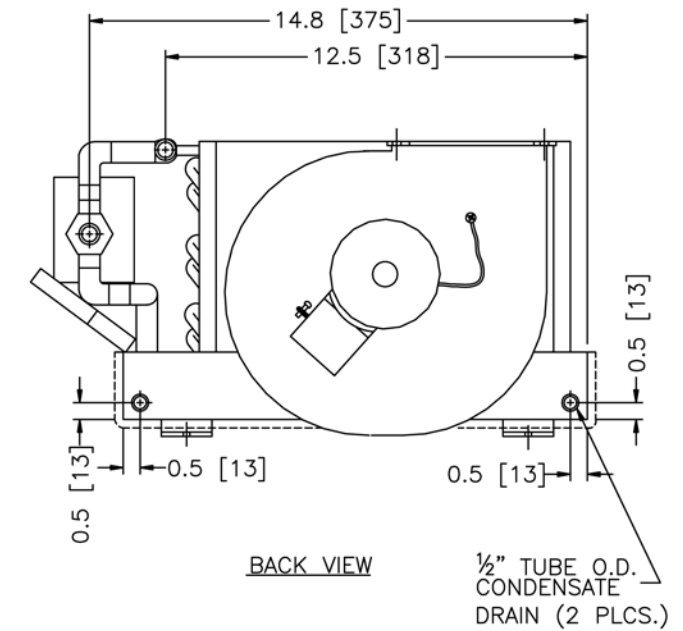
TOP VIEW



FRONT VIEW



LEFT SIDE VIEW



BACK VIEW

WEIGHT: 19 LBS [8.6 KG] CFM: 265 AMP DRAW: 1.86 A @115 V SINGLE PHASE/ 0.93 A @230 V SINGLE PHASE

SYMBOL	DATE	DESCRIPTION	BY	CHECKED
REVISIONS				
		TECHNICOLD <small>by NORTHERN LIGHTS</small>		
		1419 W. Newport Center Drive Deerfield Beach, FL 33442 (954) 421-1717 www.technicold.com		
TOLERANCES UNLESS OTHERWISE SPECIFIED X.X: ±.125 ANGULAR: ±1.0		DRAWN: LB TITLE: AIR HANDLER CHECKED: SCALE: 1:4 RELEASED: 3/17/09 SHEETS: DF 1 UNITS OF MEASURE: INCHES (MM)		
CAD REVISE ON CAD ONLY THIRD ANGLE PROJECTION		8,000 BTU/HR RA08 DWA NO: C-6644 REV: -		