

8

7

6

5

4

3

2

1

D

C

B

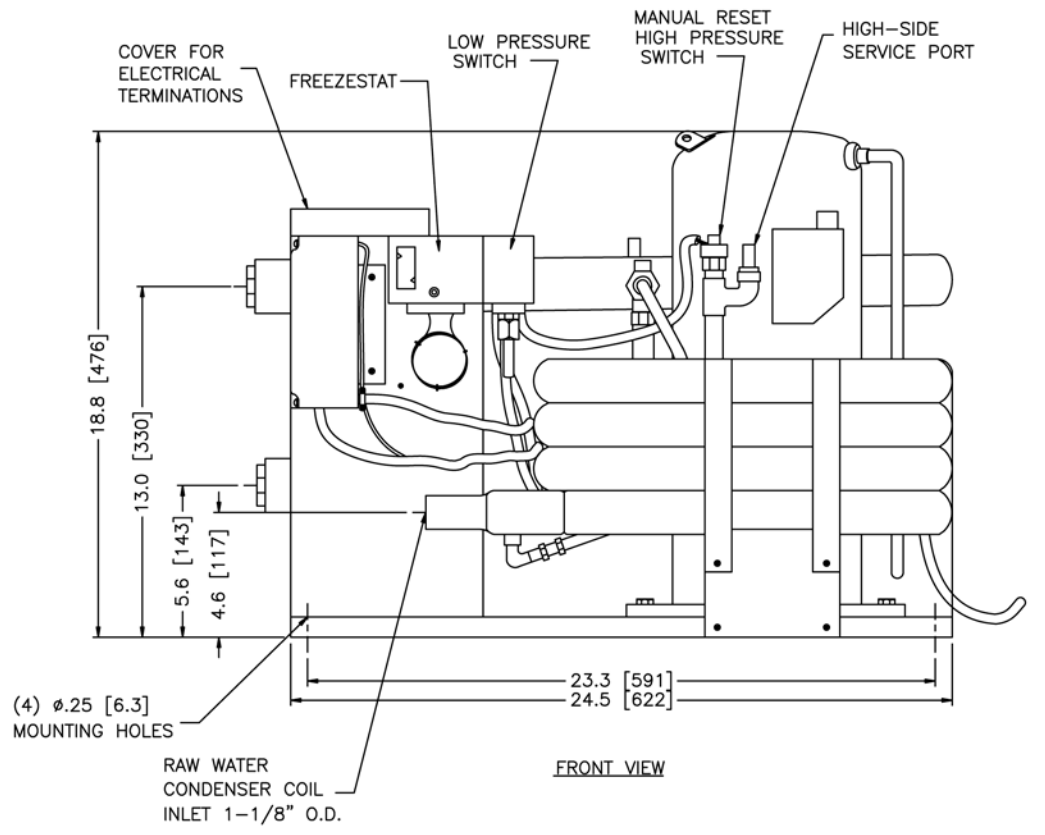
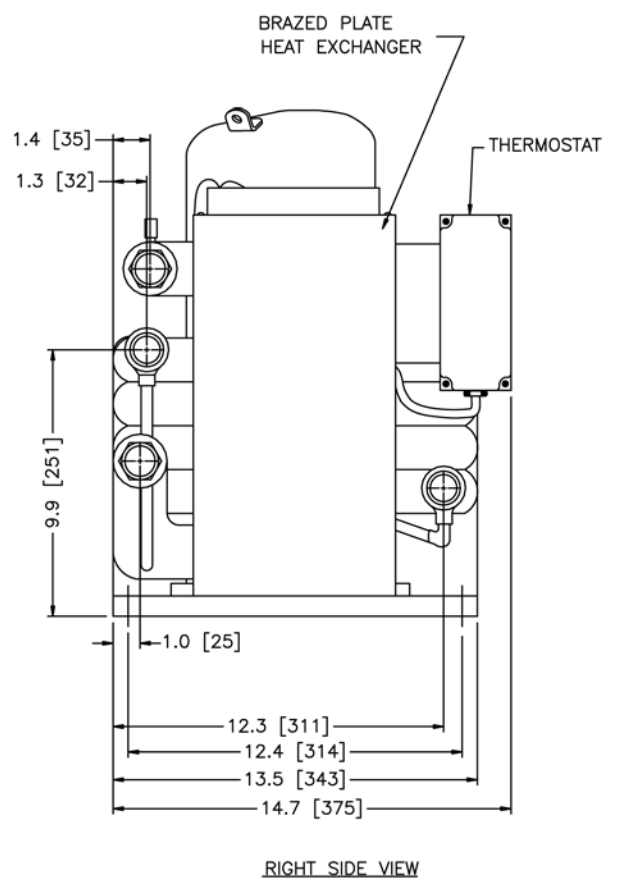
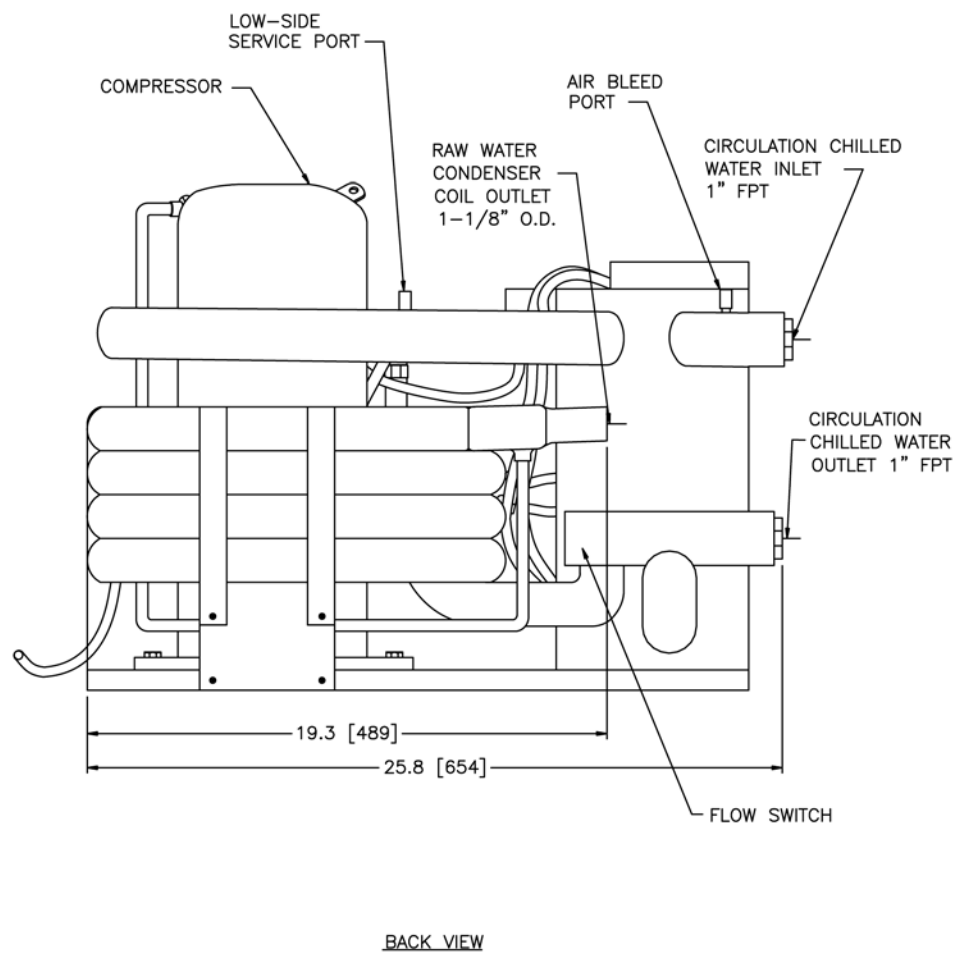
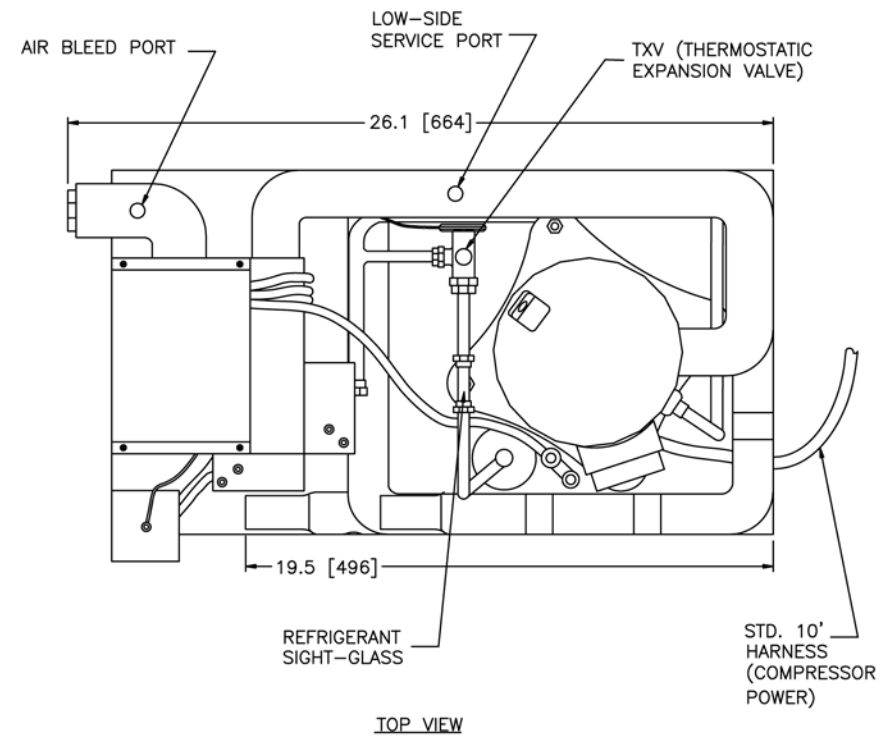
A

D

C

B

A



WEIGHT: 187 LBS. (84.8 KG) AMP DRAW: 17.9 @230 V SINGLE PH./ 12.4 @208 V THREE PH.

SYMBOL	DATE	DESCRIPTION	BY	CHECKED
<b>REVISIONS</b>				
		<b>TECHNICOLD</b> <small>by NORTHERN LIGHTS</small>		
		<b>1419 W. Newport Center Drive</b> <b>Deerfield Beach, FL 33442</b> <b>(954) 421-1717</b> <b>www.technicold.com</b>		
TOLERANCES UNLESS OTHERWISE SPECIFIED X.X: ±.125 ANGULAR: ±1.0		DRAWN: LB CHECKED: SCALE: 1:5 RELEASED: 3/19/09 SHEETS: CF 1 UNITS OF MEASURE: INCHES (MM)		
CAD REVISE ON CAD ONLY THIRD ANGLE PROJECTION		TITLE: CHILLER 60,000 BTU/HR. DWG. NO.: C-6647 REV: -		
		CW60C		