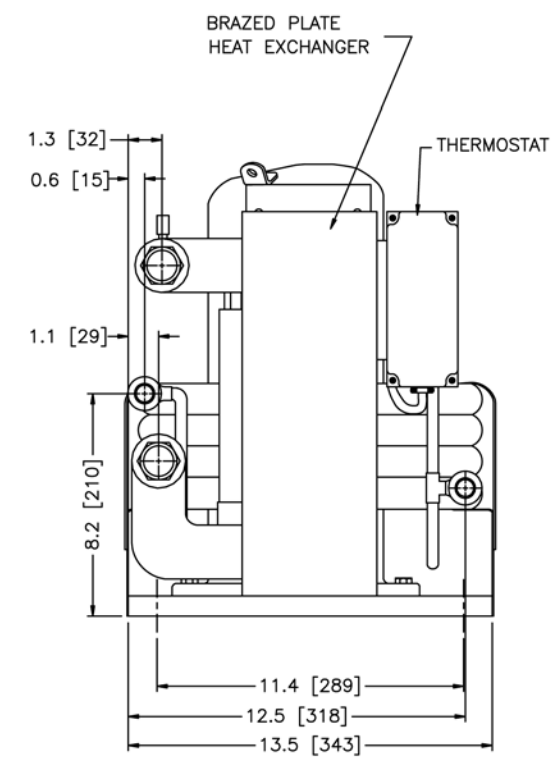
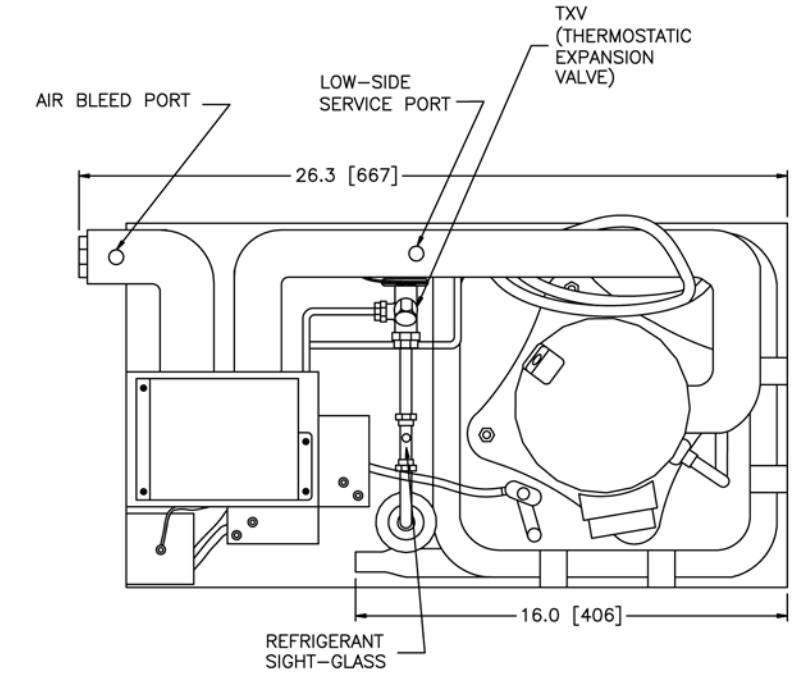


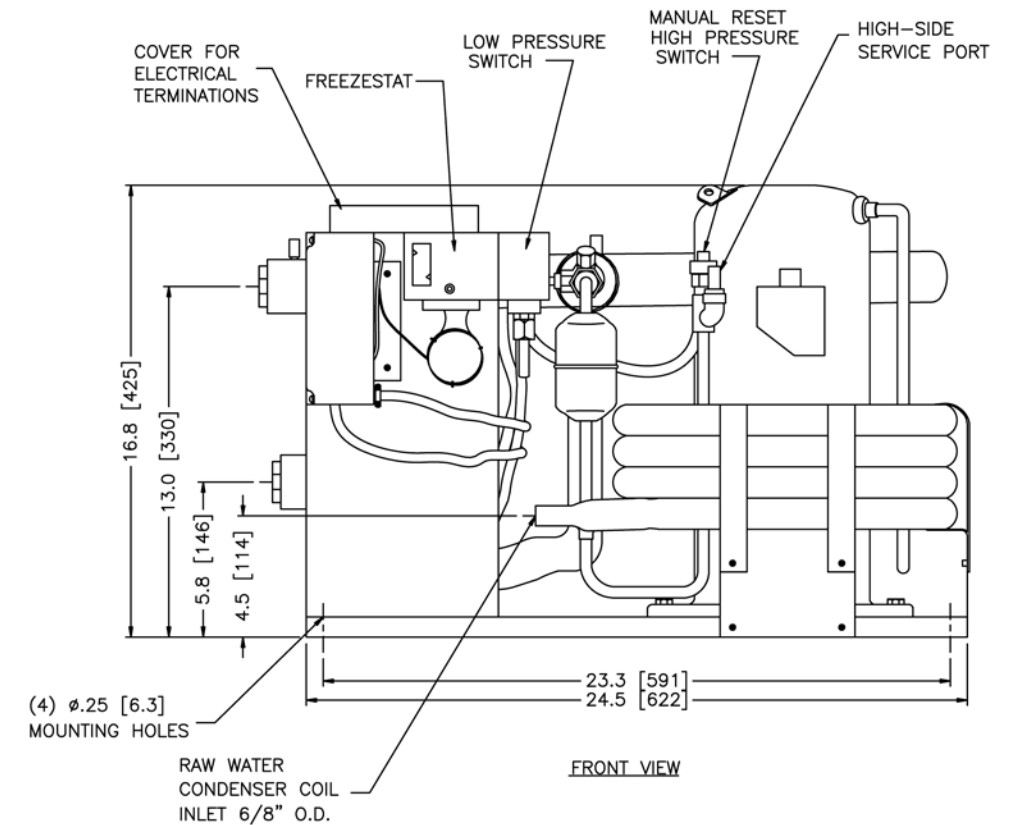
BACK VIEW



RIGHT SIDE VIEW



TOP VIEW



FRONT VIEW

WEIGHT: 127 LBS. (57.6 KG)

SYMBOL	DATE	DESCRIPTION	BY	CHECKED
REVISIONS				
		TECHNICOLD <small>by NORTHERN LIGHTS</small>		
		1419 W. Newport Center Drive Deerfield Beach, FL 33442 (954) 421-1717 www.technicold.com		
TOLERANCES UNLESS OTHERWISE SPECIFIED X.X: \pm .125 ANGULAR: \pm 1.0		DRAWN: LB CHECKED: SCALE: 1:5 RELEASED: 4/23/09 SHEETS: CF 1	TITLE: CHILLER 36,000 BTU/HR. DWG. NO.: C-6662 REV: -	
THIRD ANGLE PROJECTION 		UNITS OF MEASURE: INCHES (MM)	CW36C	