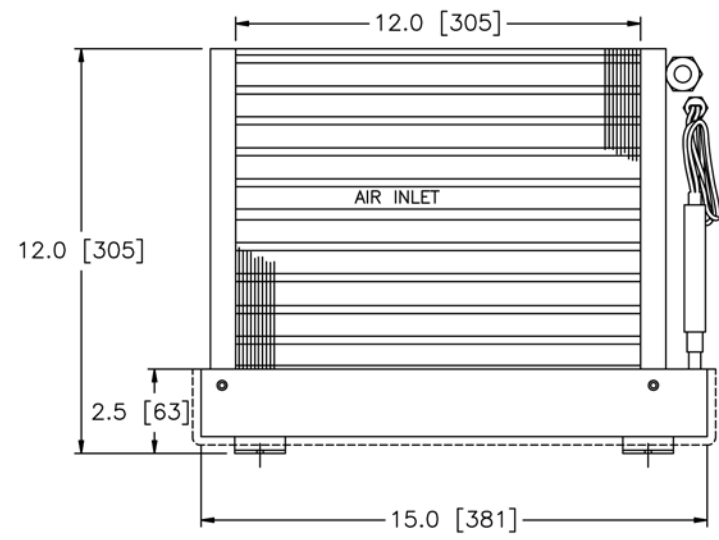
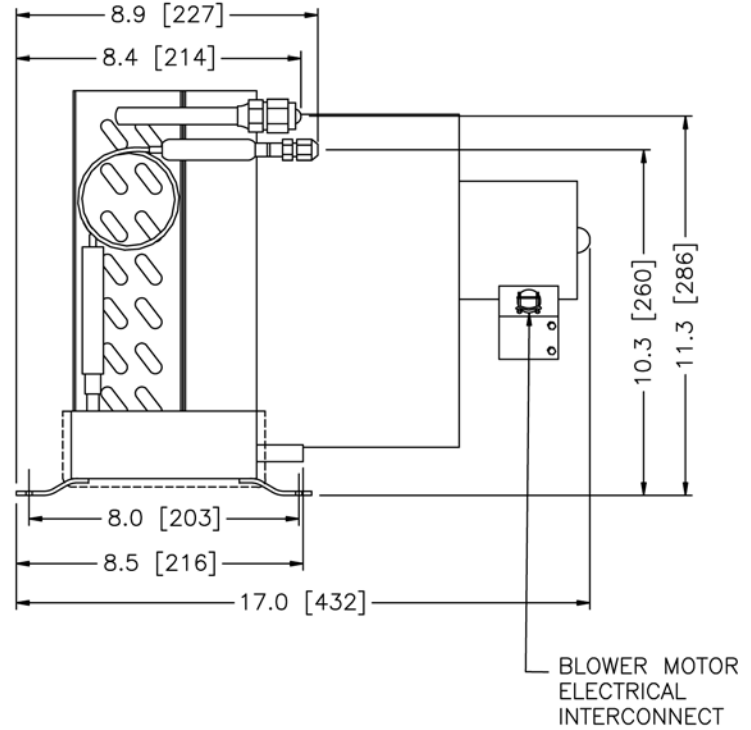


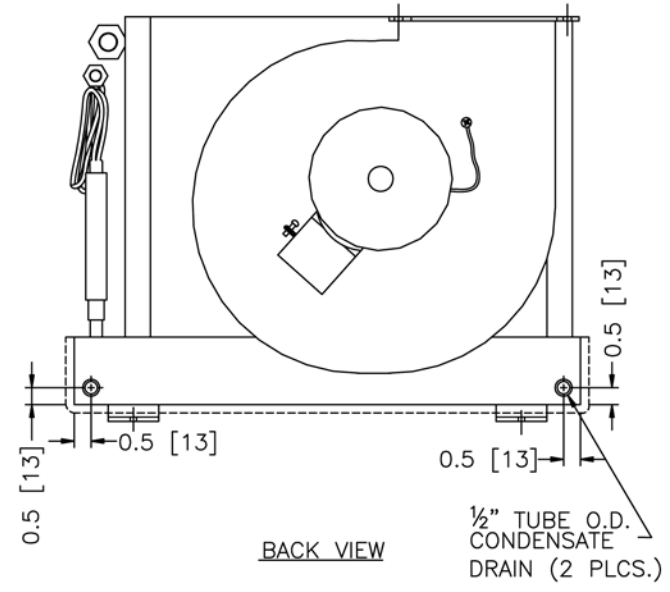
TOP VIEW



FRONT VIEW



LEFT SIDE VIEW



BACK VIEW

WEIGHT: 26 LBS [11.8 KG] CFM: 500 AMP DRAW: 3.55 A @115 V SINGLE PHASE/ 1.7 A @230 V SINGLE PHASE

TOLERANCES UNLESS OTHERWISE SPECIFIED				1419 W. Newport Center Drive Deerfield Beach, FL 33442 (954) 421-1717 www.technicold.com	
X.X: ±.125		DRAWN: LB		TITLE: EVAPORATOR	
ANGULAR: ±1.0		CHECKED:		16,000 BTU/HR	
CAD		THIRD ANGLE PROJECTION		SCALE: 1:4	
REVISE ON CAD ONLY		RELEASED: 10/21/09		SHEETS: DF 1	
UNITS OF MEASURE: INCHES (MM)		DWG. NO.: C-6732		REV: -	