

8

7

6

5

4

3

2

1

D

C

B

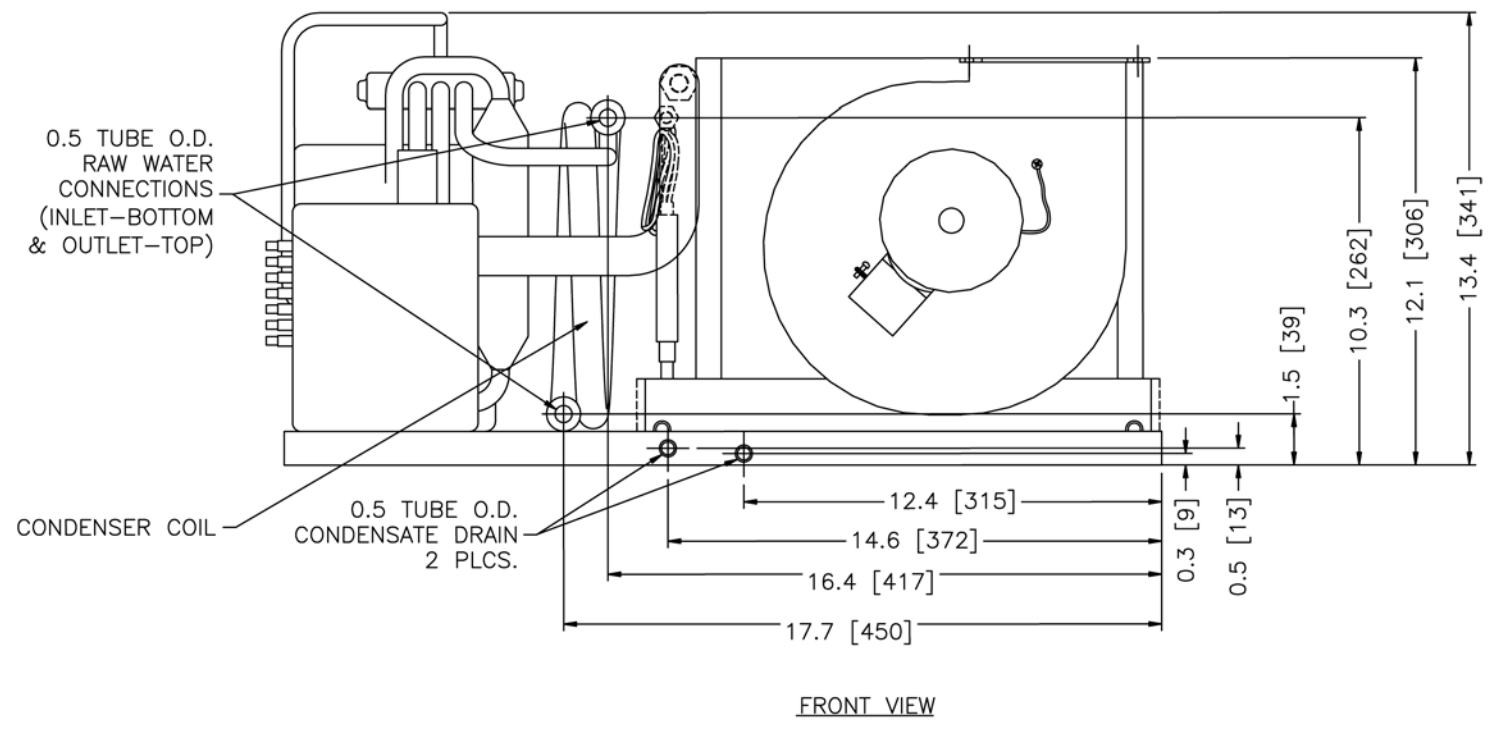
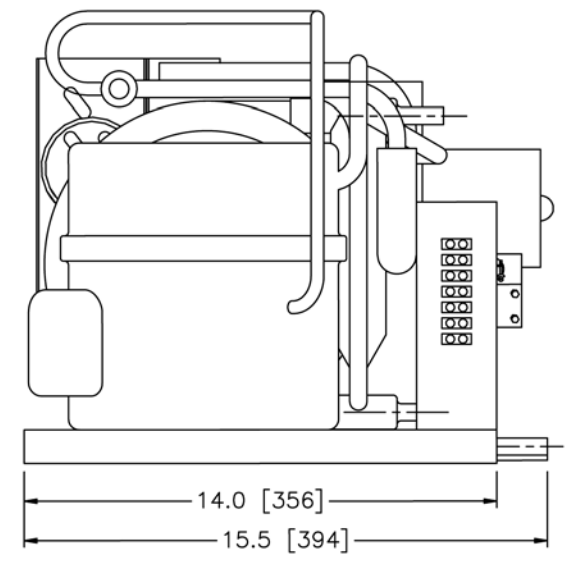
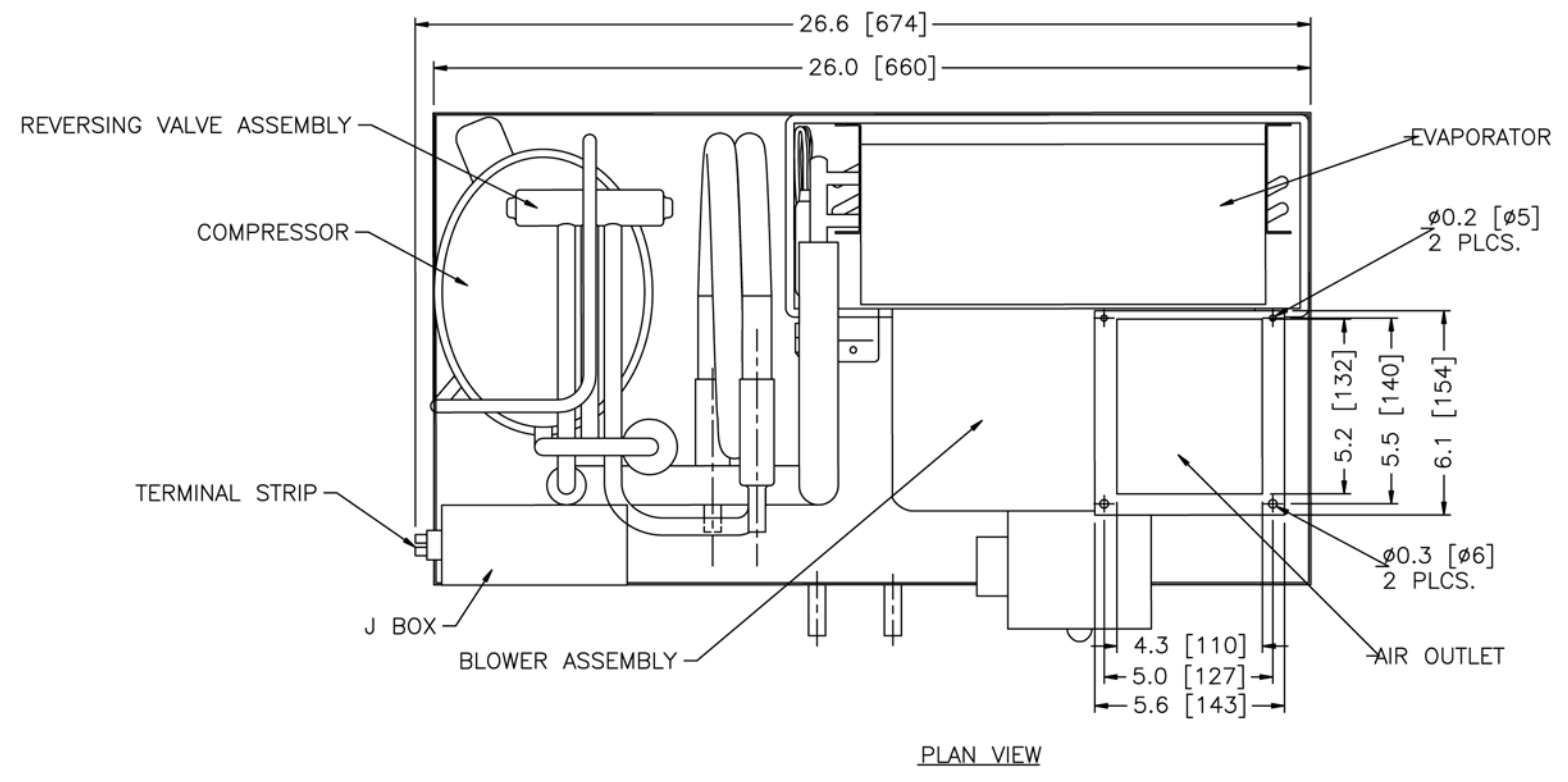
A

D

C

B

A



WEIGHT: 95 LBS [43 KG] CFM: 500 AMP DRAW: 18.55A @115V SINGLE PHASE/ 7.9A @230V SINGLE PHASE

| SYMBOL   | DATE | DESCRIPTION   | BY | CHECKED |
|--|------|---|----|---------|
| REVISIONS  |      |   |    |         |
|  |      | <b>TECHNICOLD</b><br><small>by NORTHERN LIGHTS</small><br><b>1419 W. Newport Center Drive</b><br><b>Deerfield Beach, FL 33442</b><br><b>(954) 421-1717</b><br><b>www.technicold.com</b> |    |         |
| TOLERANCES UNLESS OTHERWISE SPECIFIED<br>X.X: ±.125<br>ANGULAR: ±1.0 |      | DRAWN: _____ MG _____<br>CHECKED: _____<br>SCALE: 1:4<br>RELEASED: 03/19/10<br>SHEETS: CF 1<br>UNITS OF MEASURE: INCHES (MM)  |    |         |
| CAD<br>REVISE ON CAD ONLY<br>THIRD ANGLE PROJECTION                  |      | TITLE: <b>SELF CONTAINED UNIT</b><br>16,000 BTU/HR<br><b>SC16CHA(B)</b> DWG. NO.: <b>C-6787</b> REV: -  |    |         |